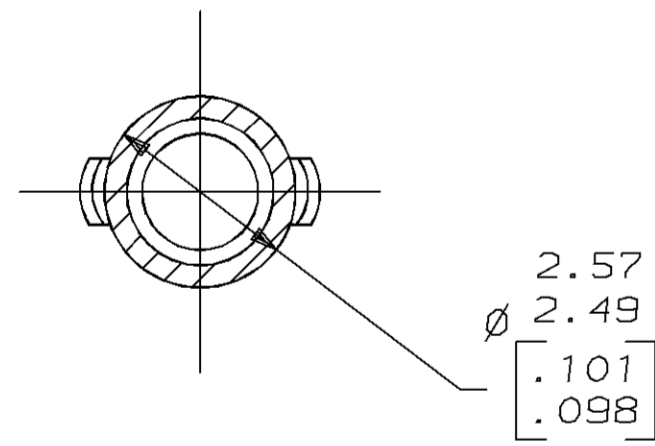
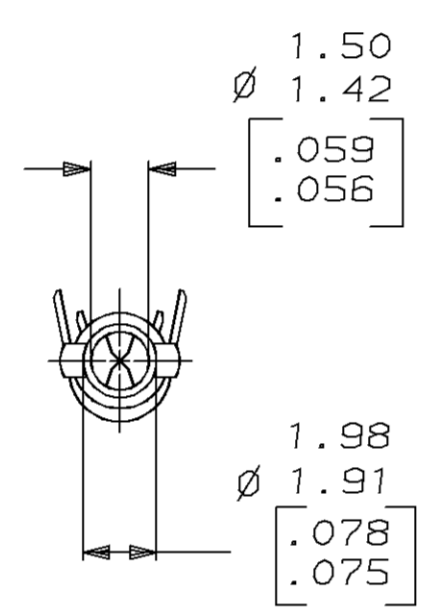
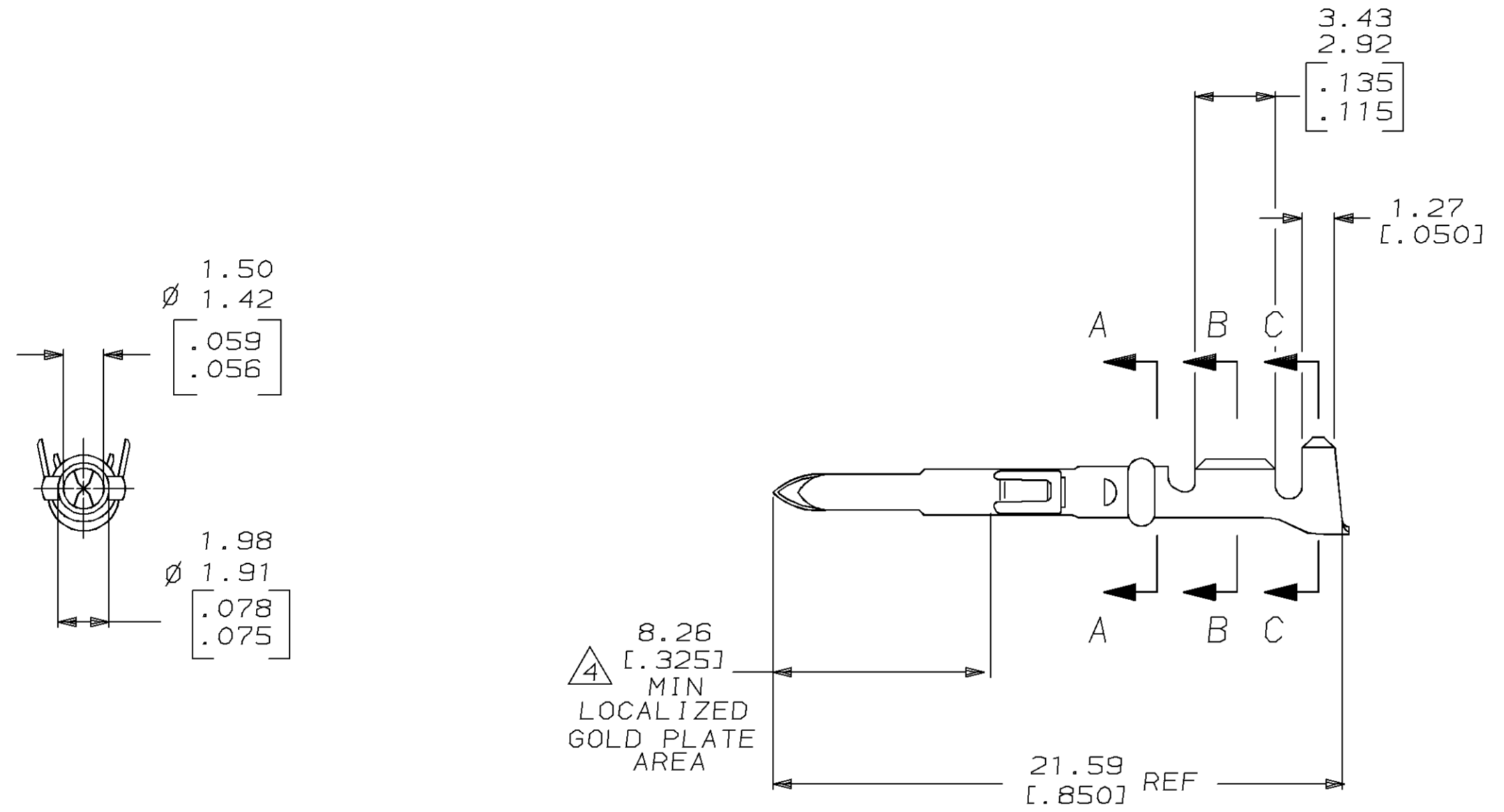
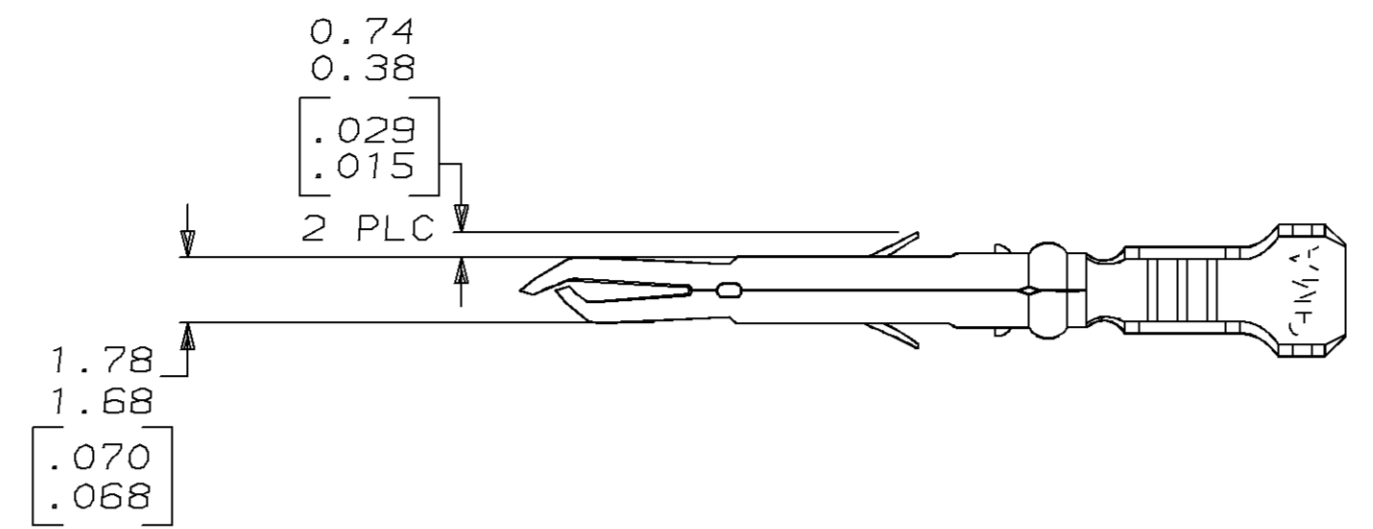
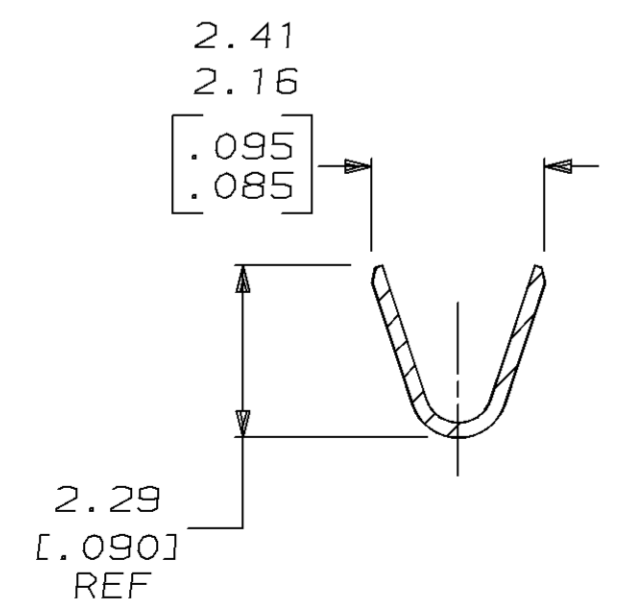


LOC		DIST		P		F		ZONE		LTR		REVISIONS			
CM	52											DESCRIPTION	DATE	APPD	
												C	REV & REDWN PER EC 0730-0059-95	3-21-95	KS

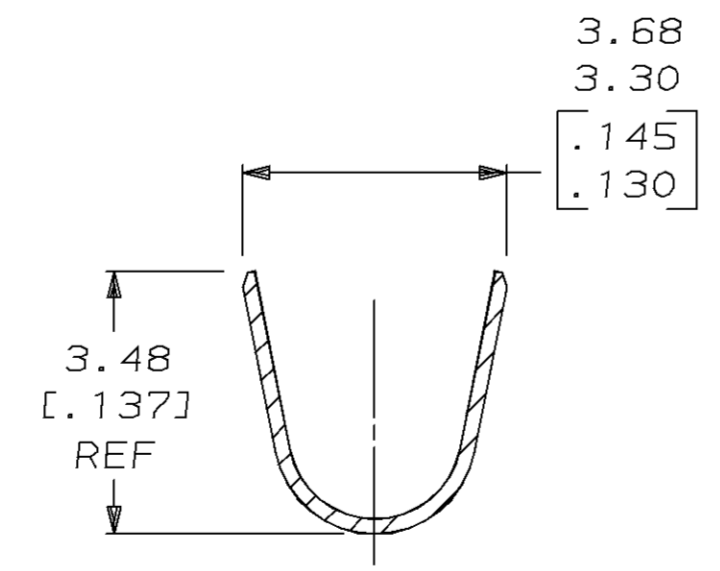
- 1 WIRE RANGE: 0.13-0.8mm² (26-18 AWG).
 - 2 INSULATION RANGE: 1.27-2.92 [.050-.115] MAX. DIA.
 - 3 DIMENSIONS IN BRACKETS ARE IN INCHES.
- △ TIP PLATE WITH 0.00076-0.00091 [.000030-.000036] MIN GOLD IN THE LOCALIZED GOLD PLATE AREA OVER 0.00127 [.000050] MIN NICKEL UNDERPLATE.



SECTION A-A
SCALE 10:1



SECTION B-B
SCALE 10:1



SECTION C-C
SCALE 10:1

METRIC

THIS DRAWING IS A CONTROLLED DOCUMENT FOR AMP INCORPORATED. IT IS SUBJECT TO CHANGE AND THE CONTROLLING ENGINEERING ORGANIZATION SHOULD BE CONTACTED FOR THE LATEST REVISION.

FINISH	MATERIAL	PART NO
△ GOLD PLATE	0.20 [.008] PHOS BRZ	640580-2
PRE-TIN	0.20 [.008] PHOS BRZ	640580-1

DO NOT SCALE PRINT. UNLESS SPECIFIED DIMENSIONS IN mm [INCHES] TOLERANCES ON:		DR 3-21-95 K. SALMON		AMP AMP Incorporated Harrisburg, PA 17105-3608	
2 PLC DEC ±0.13 [.005]		CHK 3-21-95 R. SWING			
ANGLES ± -		APPD 3-21-95 W. LONG		NAME	
MATERIAL		APPD 3-21-95 W. LONG		GROUNDING PIN, LOOSE PIECE, MR	
SEE TABLE		PRODUCT SPEC			
FINISH		APPLICATION SPEC		SIZE	CAGE CODE
SEE TABLE		-		D	00779
		WEIGHT		DRAWING NO	©-640580
		-		SCALE	5:1
				SHEET	1 OF 1

CUSTOMER DRAWING